



CONIMEX
Your partner in plastic containers

**To serve your packaging needs
for today and tomorrow**



Location : 40 Moo 12 Soi Sahamit 2, Sukhumvit 77 Rd., Srisajorakhae-Noi
Bangsaothong District, Samutprakarn, 10540 Thailand

Tel : (662) 7380305, (662) 1729056, **Fax :** (662) 7380318, (662) 1729058

E-mail : cx@conimexthai.com, **Website :** www.conimexthai.com

Updated 2014.05.01



Company's Profile

- Established in 1981
- Located in greater Bangkok “Samutprakarn”
- Excess of 700 people within an area of 54,000 sqm
- A privately owned company specializing in the design and manufacturing of a wide range of plastic containers e.g., bottles, jars, collapsible tubes, automotive parts, industrial components for various market application



Company's Profile

- Committed to 3 basic philosophies : Quality, Service, and Competitive Pricing
- Standard
 - ISO9001 : 2008 certified ensuring that our quality systems meet world class standards
 - BRC IoP4 certified ensuring that our packaging are conformed to the standard of product safety, legality, and quality
 - Conducted SMETA (Sedex Members Ethical Trade Audit) audit to prove that ethical trading is taking place

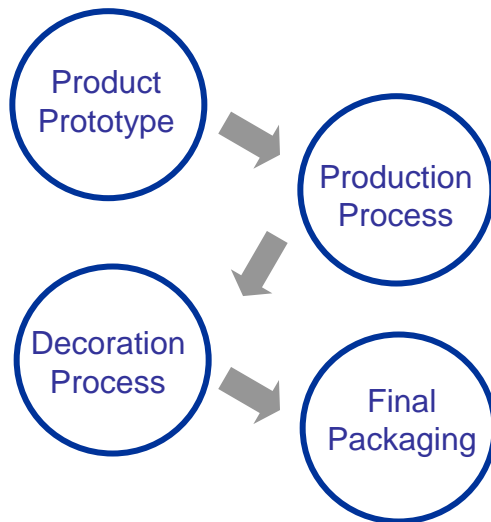


Company's Profile

- Represented as OEM
- Numerous common moulds to meet general requirement
- In-house mould shop to provide custom-made mould to meet specific customer's requirement
- Over 25 million containers a month are produced, serving over 250 brands of merchandise
- 90% Domestic market and 10% International market :
Japan, Malaysia, Singapore, Philippines, India, Indonesia, UK, Scandinavians, U.S.A, etc.



Philosophy

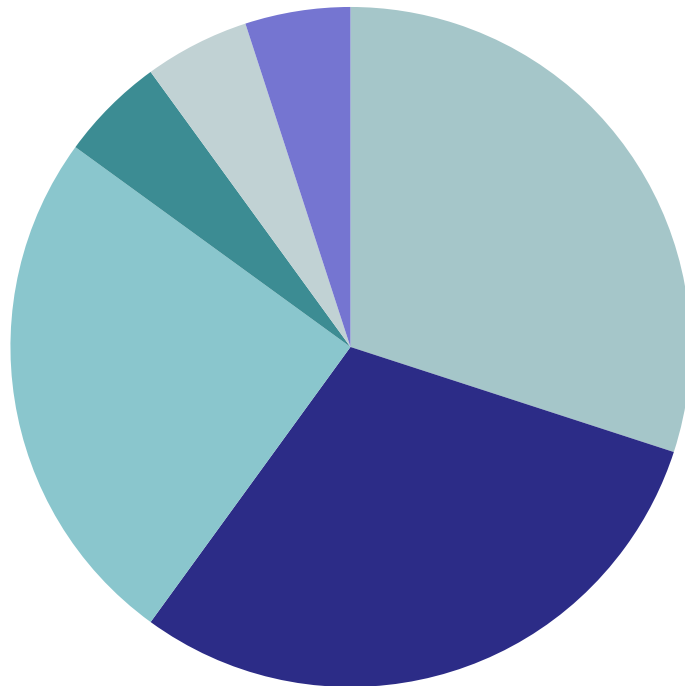


- Focus on “ONE STOP SHOP” concept
- Transform packaging requirements into complete solutions
- Having prototypes designed, mould fabricated, containers produced, decorated and delivered to customers’ doorstep



Market Supplied

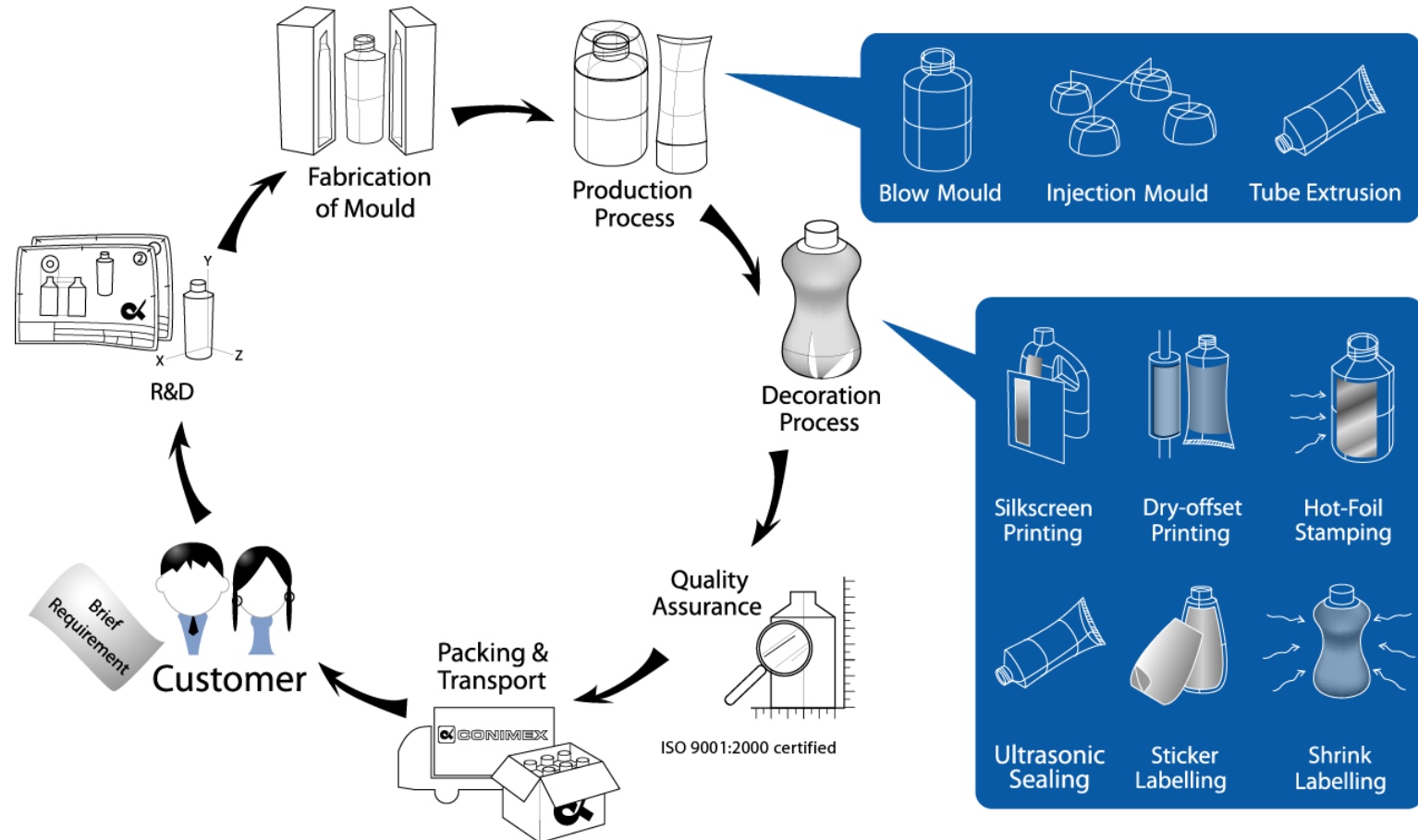
- 6 different classes of market



- Cosmetics 30%
- Consumer and Toiletries 30%
- Lubricant and Chemicals 25%
- Pharmaceutical and Food 5%
- Automotive and industrial parts 5%
- Others 5%



Production Cycle



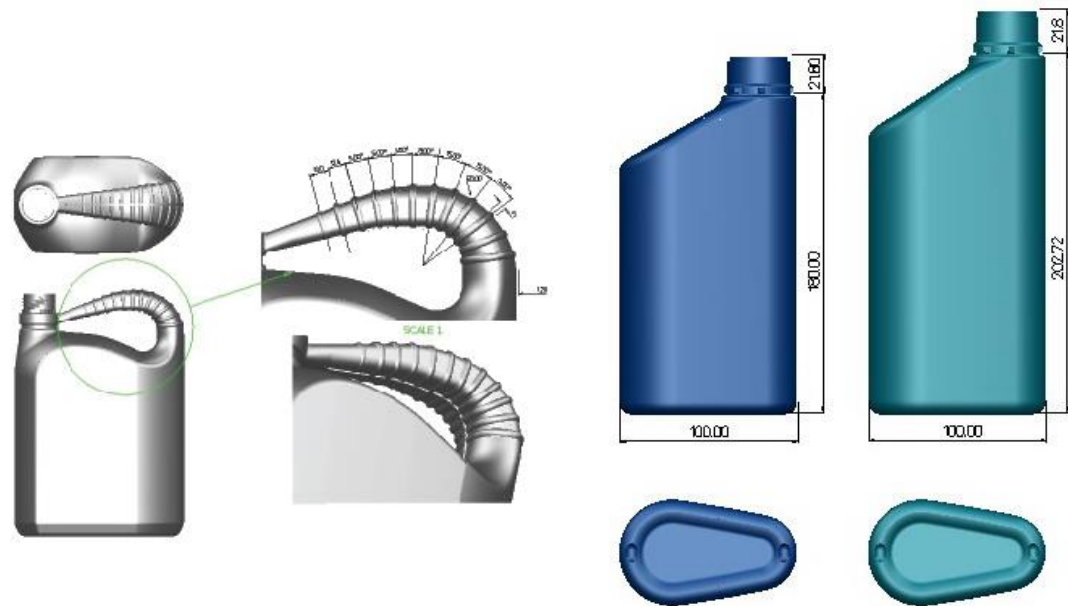
Serve your packaging for today and tomorrow



Facilities and Production Technology

Professional Research and Development Team

- Using special software to design and construct product drawing and product prototype for customers

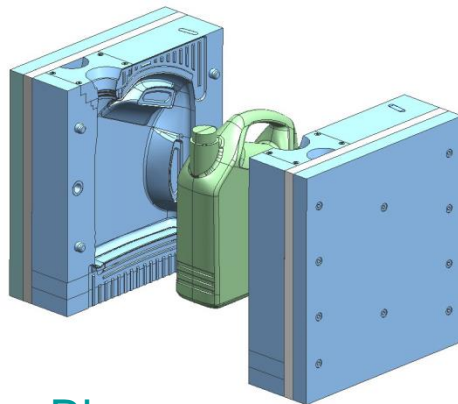




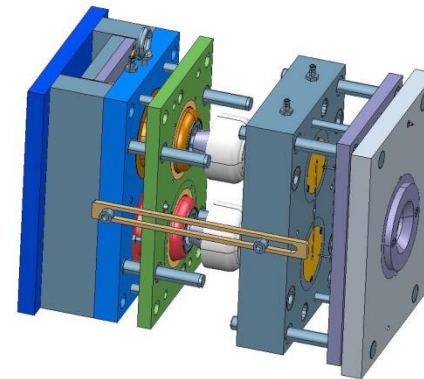
Facilities and Production Technology

An Integrated Mould Shop

- With CAD/CAM design facilities and in-house tool making, we offer a service to customers who wish to establish their own exclusive designs in both injection moulding and blow moulding



Blow
Moulding



Injection
Moulding



Production Process

Blow Moulding

- Over 70 extrusion blow moulding (EBM) machines producing containers up to 20Lt. from various plastic resins
- Injection blow moulding (IBM) machine and injection stretch blow moulding (ISBM) machine are available
- Extrusion blow moulding is also available for multi-layer container requirement





Production Process

Injection Moulding

- Over 35 injection moulding machines producing products up to 150g from various plastic resins
- A large range of standard moulds and custom tailor-made moulds for caps, closures, jars etc. are available





Production Process

Tube Extrusion

- Consist of extrusion process and injection process
- Offer both single-layer and multi-layer extrusion line
- 9 tube diameters
 - 16mm 18mm 22mm 25mm 30mm 35mm
38mm 40mm 49mm
- Tube length available from 45 to 170 mm.

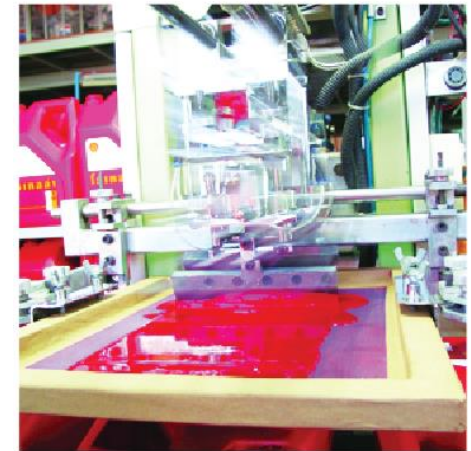




Decoration Process

Silkscreen Printing

- Decoration of round, flat, oval bottles, jars, including collapsible tubes
- Offer multi-colour process printing
- Using conventional solvent-dried ink and UV-dried ink technology





Decoration Process

Dry-Offset Printing

- Decoration of jars and collapsible tubes
- Offer multi-colour process printing up to 6 colours
- Lacquer coated in matt or gloss finish for long-life display and enhance barrier properties
- Using conventional solvent-dried ink and UV-dried ink technology





Decoration Process

Sticker Labelling

- Apply on any shape and size of containers e.g., flat, round, oval bottle, and jars, including collapsible tubes

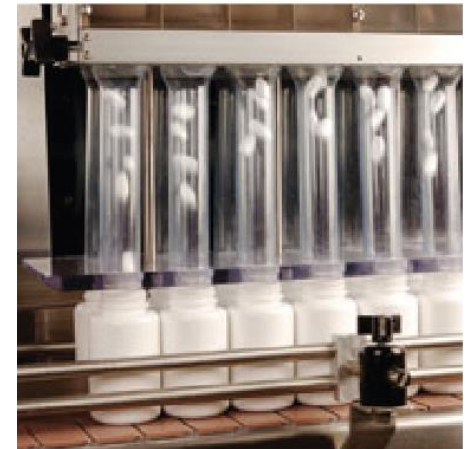




Decoration Process

Shrink Labelling

- Offer full 360-degree wrap-around coverage on bottles, and jars of any shape and size using full-body shrink sleeve labels





Decoration Process

Hot-Foil Stamping

- Stamping of flat, round, oval bottles, jars, and caps, including collapsible tubes
- Use of international standard foils
- Available in various colors of foils





Decoration Process

Sealing

- Various profiles of ultrasonic sealing e.g., horizontal, circular, wave, hanging etc
- Hot-air sealing is also available





Quality Assurance

- Dedicated full time QA team
- Thorough assurance of quality of products from production to final delivery to customers
- Performance testing of all products with various qualified measurement tools
- Leak-checking equipment integrated on-line with machine





Packing and Transport

- Special packing room meeting GMP and BRC IoP standards
- Comprehensive range of vehicles e.g., pick-up truck, 6-wheel truck, 20-foot container truck to deliver products to customers' doorstep





Thank you